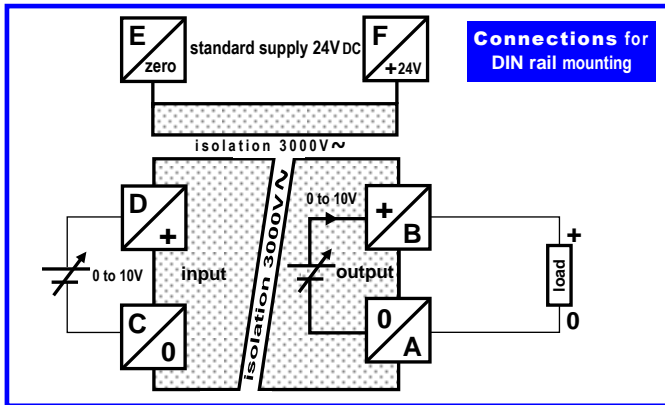


Fast voltage transmitter

"0 to 10V"; multiple protections; easy set-up; economical



This mini-module with triple isolation (3000V~) transmits rapidly and precisely "0 to 10V" signals applied on its input.

Input 0 to 10V; impedance: 220 kΩ

Output 0 to 10V, on load ≥ 1 kΩ

Accuracy better than 0.2%

Regulation < 5.10⁻⁴, with load varying from 1 kΩ up to 100 kΩ

Ripple < 20 mV

Response time < 300 μs (can be increased upon request)

Isolation Triple { input / output, input / supply, output / supply } 3 kV ~

Power supply voltage

- standard, 24 V DC ±10% / <25 mA/1 kΩ loaded and < 18 mA unloaded
- optional power supply:
 - ♦ 24V~ or 110V~ or 230V~ ±10% / 48Hz to 400Hz (case DIN 22: 66 x 53 x 22.5 mm)
 - ♦ 5V or 12V or 48V DC

Possible load ≥ 1 kΩ

Protections

- against inverted connections on the input and power supply
- against accidental overvoltage on input: 20V
- against overloads and short-circuits
- isolations 3000V~
- against vibrations, and tropicalisation: with moulding
- sealing IP67, except connections
- elimination of the faulty-contact risk (no DIL switch)
- negligible temperature rise (high performance conversion)

Standards CE; RoHS; EN 60905-1

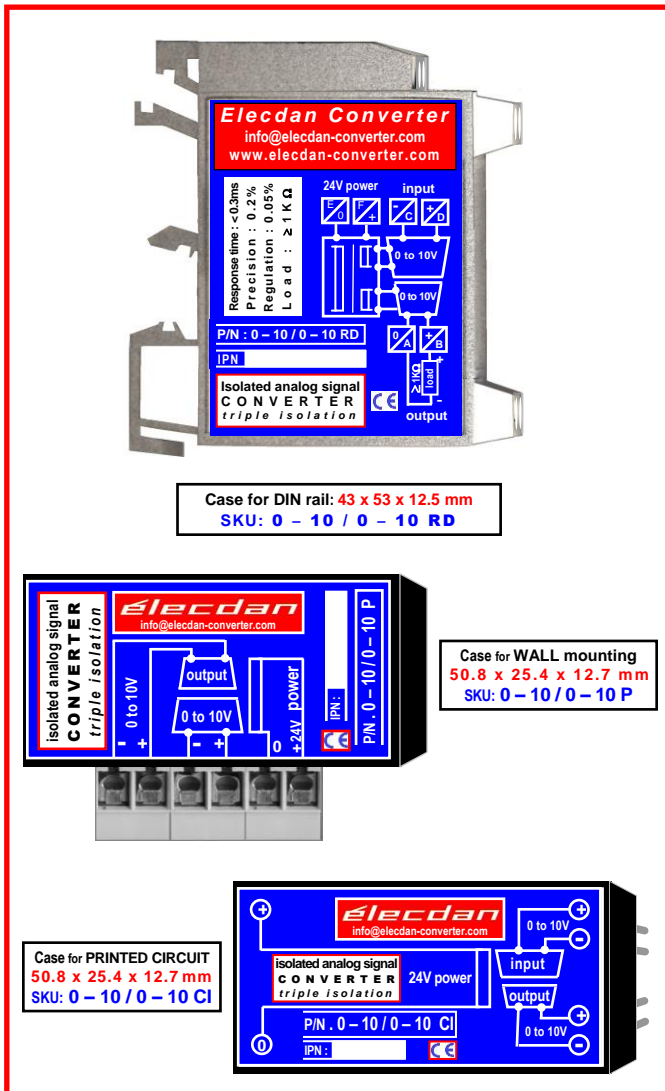
Temperatures

- coefficient: < 10⁻⁴ / °C
- operation: -20°C to +60°C
- storage: -40°C to +90°C

Three modules

- DIN rail mounting (RD)
- wall mounting with external connector and 2 M3 screws (P)
- mounting on printed circuit, connecting pins Ø 1mm (CI)

Optional: all-aluminum case, 89 x 35 x thickness 16 or 30mm, with three mounting possibilities (M)



Standard SKU (supply 24V DC)	Dimensions of the cases (mm) - Weight (grams)				Pre-tax price
	Mounting on DIN rail (RD) Dimensions / Weight	Mounting on wall (P) Dimensions / Weight	Center distance between 2 M3	Mounting on printed circuit (CI) Dimensions / Pins center distance / Weight	
0-10 / 0-10 RD	43 (+11) x 53 x 12.5 mm / 36g			Pins distance { 43.18 x (5.08 + 7.62 + 5.08) mm or 43.18 x 43.18mm	
0-10 / 0-10 P		50.8 x 25.4 (+10) x 12.7mm / 40g	43.18		
0-10 / 0-10 CI				50.8 x 25.4 x 12.7 mm / 40g	
OPTIONAL input voltages	5V or 12V or 48V DC	53 x 65 x 13 mm / 65g	50.8 x 50.8 x 17 mm / 100g	43.18	50.8 x 50.8 x 17 mm / 100g
	24V~ or 110V~ or 230V~	66 (+11) x 53 x 22.5 mm / 125g	50.8 x 50.8 x 25 mm / 148g	60.96	50.8 x 50.8 x 25 mm / 148g
After SKU please write the desired input voltage and case - Example : 0-10 / 0-10 / 5 RD for optional 5V voltage supply and case to be mounted on DIN rail					